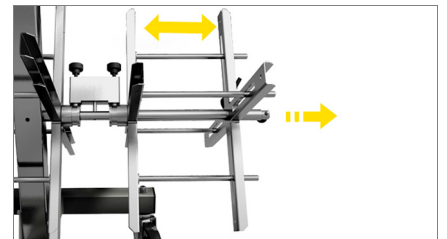


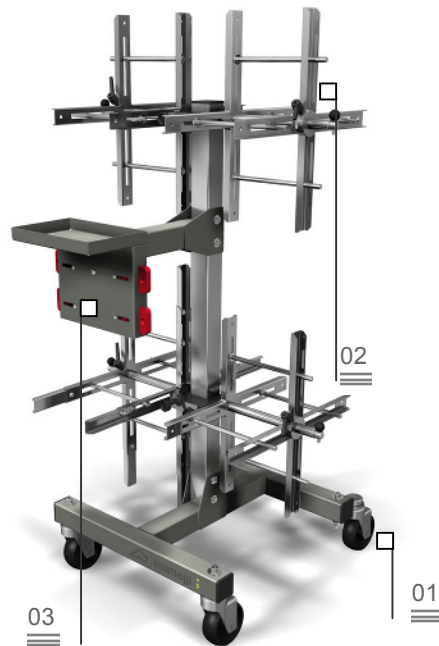
Swivelling castors 01



Roll holder 02

Spin 4

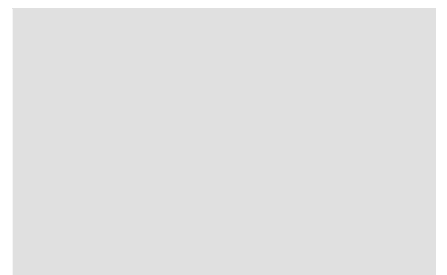
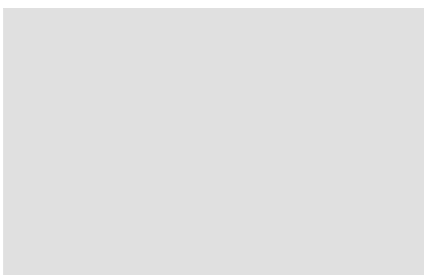
Trolley for gaskets



A correct flow of materials, whether semi-finished or finished products, or parts in the assembly phase, plays an important role in rationalizing and optimizing the production cycle. The Emmegi Logistics line offers companies a concrete solution to all storage, handling and assembly problems.

Spin 4 is a trolley for gaskets. A reel with clutch and wire guide ensures trouble-free gasket unwinding. It also has a quick roll change system.

Reel locking clutch 03



Spin 4

Gasket holding trolley

01

Swivelling castors

The trolley has 2 fixed castors and 2 swivelling castors with brakes which ensure great mobility and easy handling. The brakes enable it to be locked in position in the various work areas.

02

Roll holder

An interchangeable, adjustable and extensible reel holding system enables the trolley to adapt perfectly to the various sizes and types of rolls to be housed in it.

03

Reel locking clutch

The reel with clutch controls unwinding of the reel to prevent problems arising.



TECHNICAL CHARACTERISTICS

Minimum diameter of reel hole (mm)	110
Maximum diameter of reel (mm)	720
Maximum width of reel (mm)	250
Reel rotation clutch	
Number of removable reels	4
Device for clamping door/window, complete with clutch	
4 swivelling castors, 2 with brake (mm)	ø 125 mm
Lower roller conveyor for moving the door/window with adjustable height above floor	315 ÷ 355