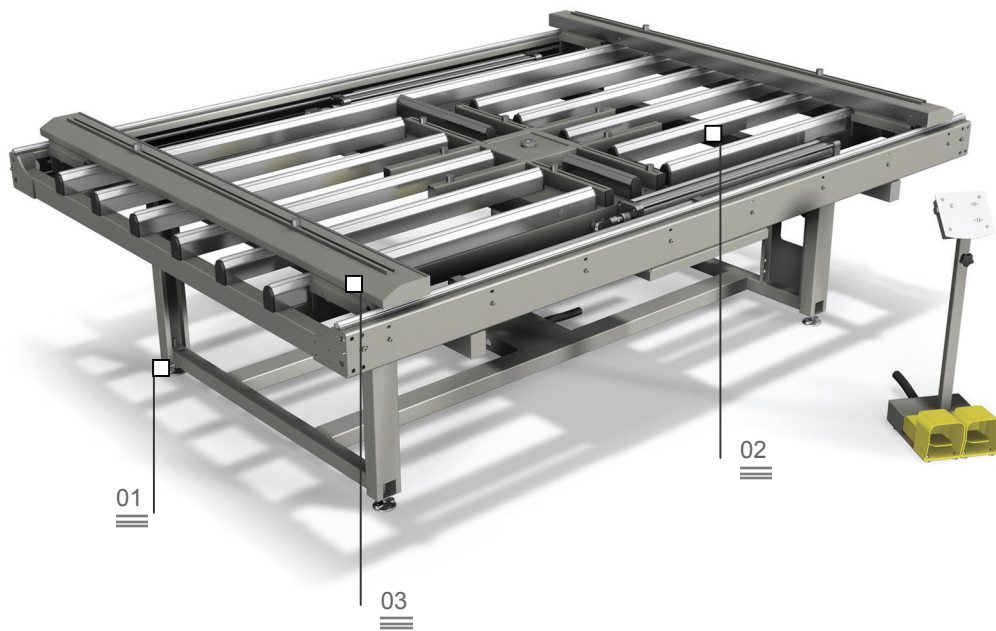


BFG 2400
Slip-in glazing bench

Adjustable feet 01

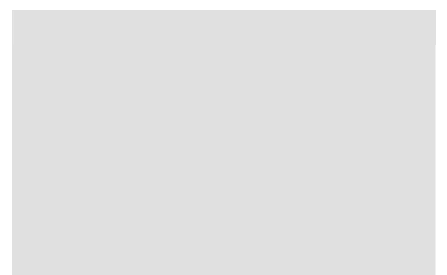
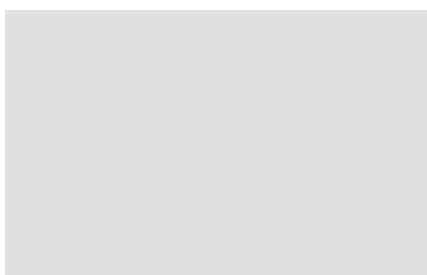
Hard anti friction PVC contact surface 02



Correct flow of materials, whether semi-finished products or parts in the assembly phase or finished products, plays an important role in rationalizing and optimizing the production cycle. The Emmegi Logistics line offers companies a concrete solution to all storage, handling and assembly problems.

BFG 2400 is an assembly bench for fitting the aluminium frame with gasket and glazing. The glazing is lifted with a spider clamp and thanks to a system of self-aligning clamps the frames are pressed two-by-two. After pressing on the first two sides, the spider clamp is rotated, then it is possible to press on the other two sides.

Glazing pressing system 03



BFG 2400

Slip-in glazing bench

01

Adjustable feet

Height-adjustable feet ensure that the work table can be set at the desired height, perfectly flush with the other products in the Dynamic Line. They also have holes for anchoring them to the floor.

02

Hard anti friction PVC contact surface

The hard anti friction PVC contact surface ensures smooth movement and easy handling of the frame.

03

Glazing pressing system

Two parallel slides powered by large cylinders allow inserting the profile on the glazing, up to a minimum sash size of 400 x 400 mm.

WORK TABLE	
Height-adjustable work table (mm)	920~980
WORKPIECE CLAMPING	
Max. pressing dimensions (mm)	2,400 x 2,400
Min. pressing dimensions (mm)	400 x 400
CONTACT SURFACE	
Contact surface covered with hard anti friction PVC	
PNEUMATIC SYSTEM	
Two-position pneumatic glazing lifting system	
SIZES	
Length (mm)	3.000
Dimensions L x D x H (mm)	3,420 x 1,950 x 990
MISCELLANEOUS	
Feet with holes for floor mounting	
Weight (Kg)	420
Air consumption (NI/min)	300